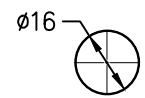


BOILER CONNECTIONS

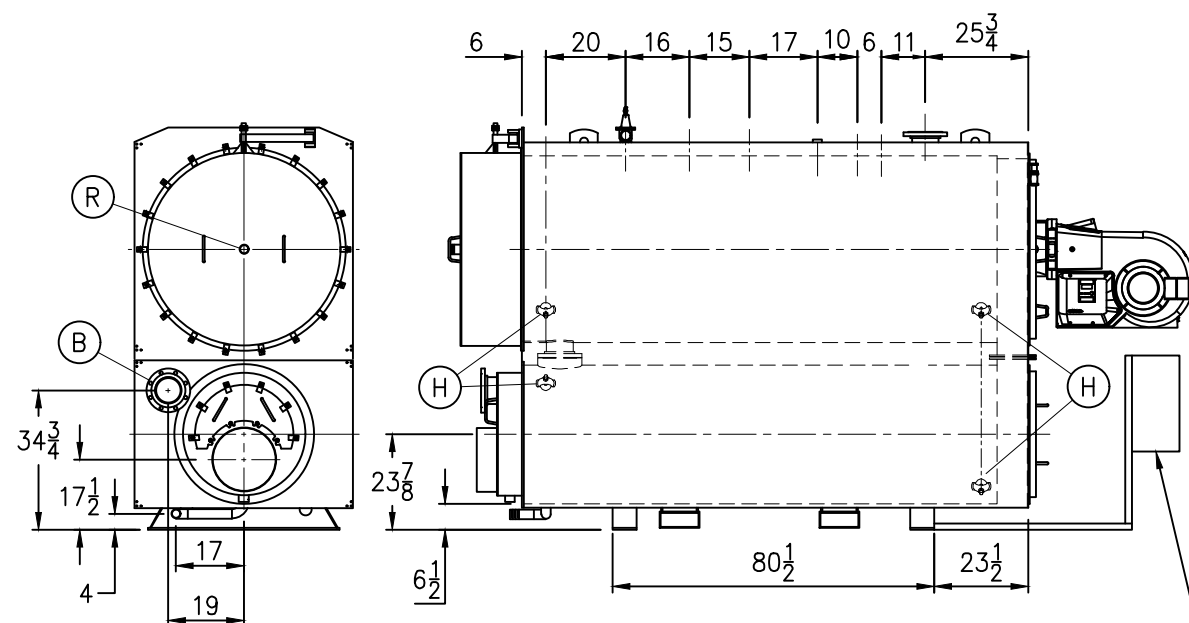
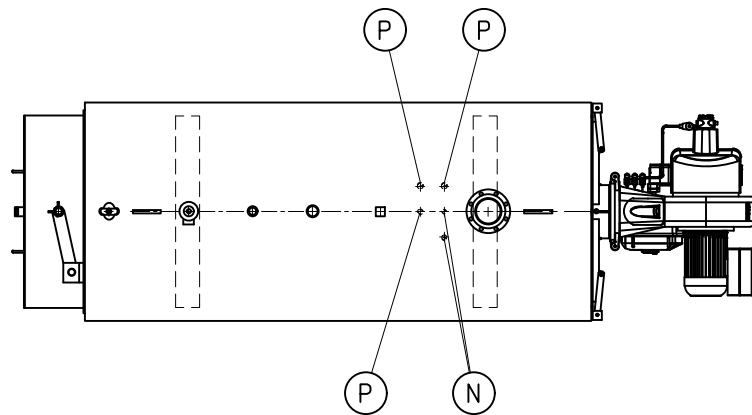
A.(1) WATER OUTLET	6" 150# FLANGE
B.(1) WATER RETURN	6" 150# FLANGE
C.(1) LWCO	1" NPT
D.(1) SAFETY VALVE	2" NPT
E.(1) SAFETY VALVE	1 1/2" NPT
F.(1) BOILER DRAIN	2" NPT
G.(1) WASHOUT	2" NPT
H.(8) HANDHOLE	3" x 4"
J.(1) CONDENSATE DRAIN	1 1/2" NPT
K.(1) RISER/DOWNCOMER	6" 150# FLANGE
L.(1) AUXILIARY/VENT	2" NPT
M.() LOW FIRE HOLD	
N.(2) AQUASTAT	1/2" NPT
P.(3) AQUASTAT	3/4" NPT
Q.() STACK TEMP	
R.(1) SIGHT PORT	2" NPT

RATINGS & CAPACITIES

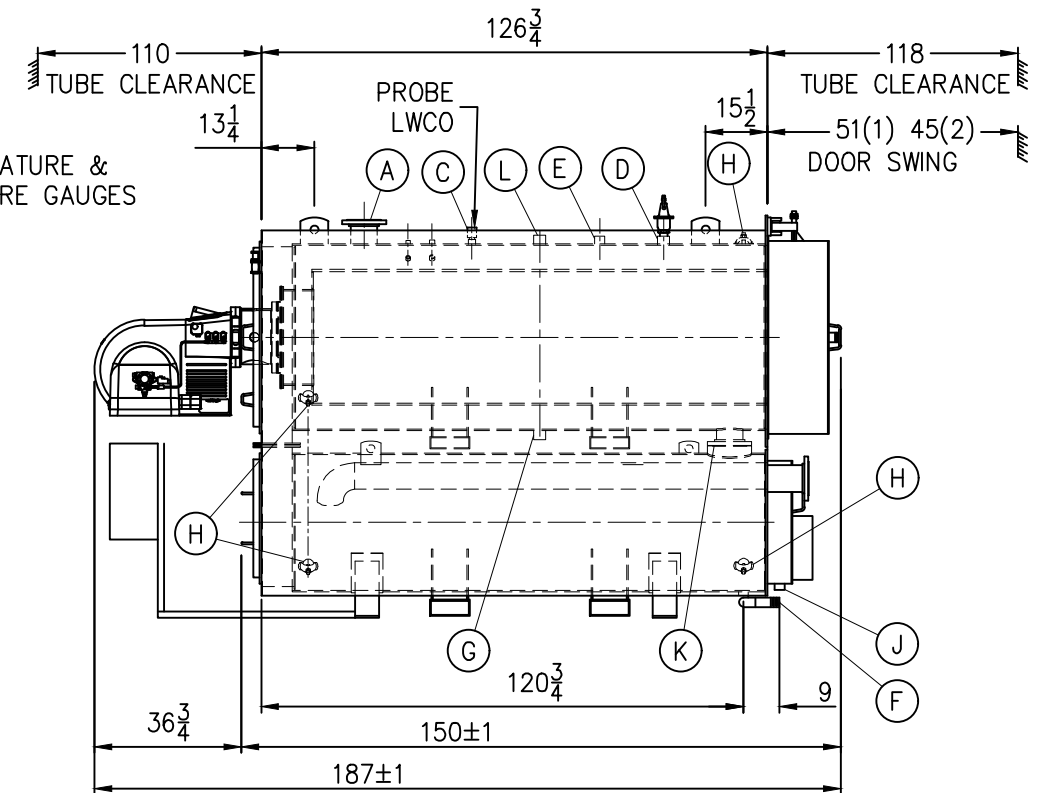
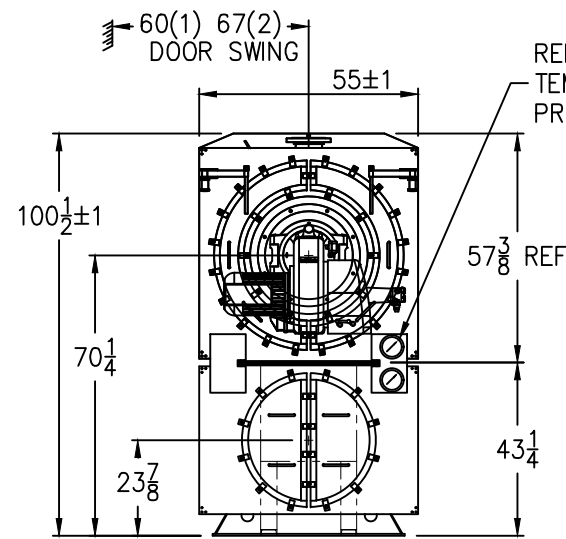
DESIGN PRESSURE	160 PSI WATER
RATED INPUT	8000 MBH
GROSS OUTPUT	7600 MBH
HEAT RELEASE (FURNACE ONLY)	145,386 BTU/CuFt
HEAT SURFACE (ASME)	730 SqFt
FURNACE HEATING SURFACE	80.65 SqFt
FURNACE VOLUME	55.03 CuFt
WATER VOLUME (FULL)	608 GAL
WATER WEIGHT	5,053 LBS
SHIPPING WEIGHT	10,985 LBS



STACK DETAIL



BURNER CONTROL PANEL (SIZE ASSUMED)



NOTES

- 1) ALL CONTROLS MOUNTED AS PER SPECIFICATION SHEET.
- 2) SPECIFICATION SHEET TAKES PRIORITY OVER R & D SHEET.
- 3) BOILER DESIGN CODE ASME SECTION IV.
- 4) ALL DIMENSIONS ARE ±1/2" UNLESS OTHERWISE NOTED.
- 5) REAR DOOR SWING:
 - (1) MIN SIDE, MAX REAR
 - (2) MAX SIDE, MIN REAR
- 6) TUBE CLEARANCE REQUIRED FROM ONE SIDE ONLY.
- 7) AERCO RESERVES THE RIGHT TO MODIFY BOILER DIMENSIONS WITHOUT PRIOR NOTICE.



MFC II 8000 MBH
DIMENSIONAL DRAWING

DWN.BY K.S. DATE 011626
SCALE NTS
REV.BY _____ DATE _____

AP-A-1111

REV.
A